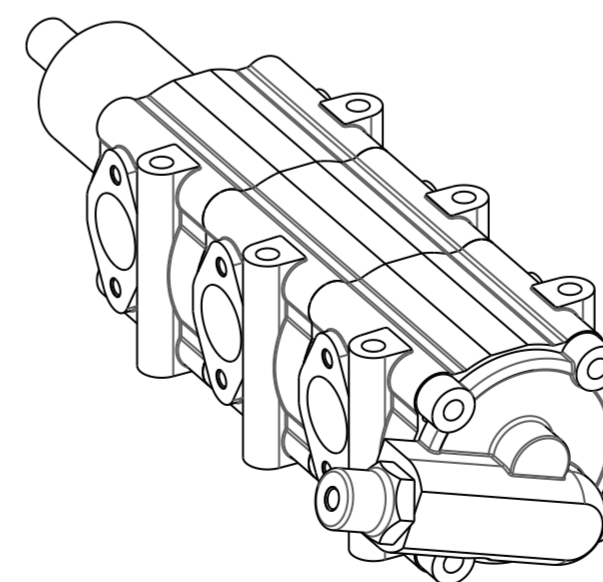
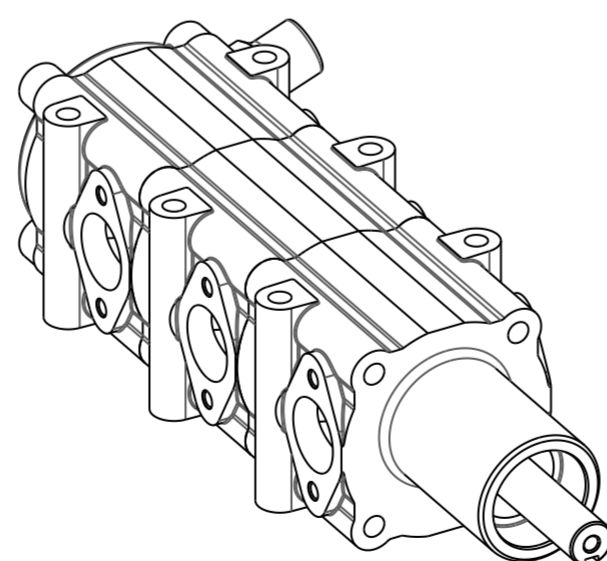
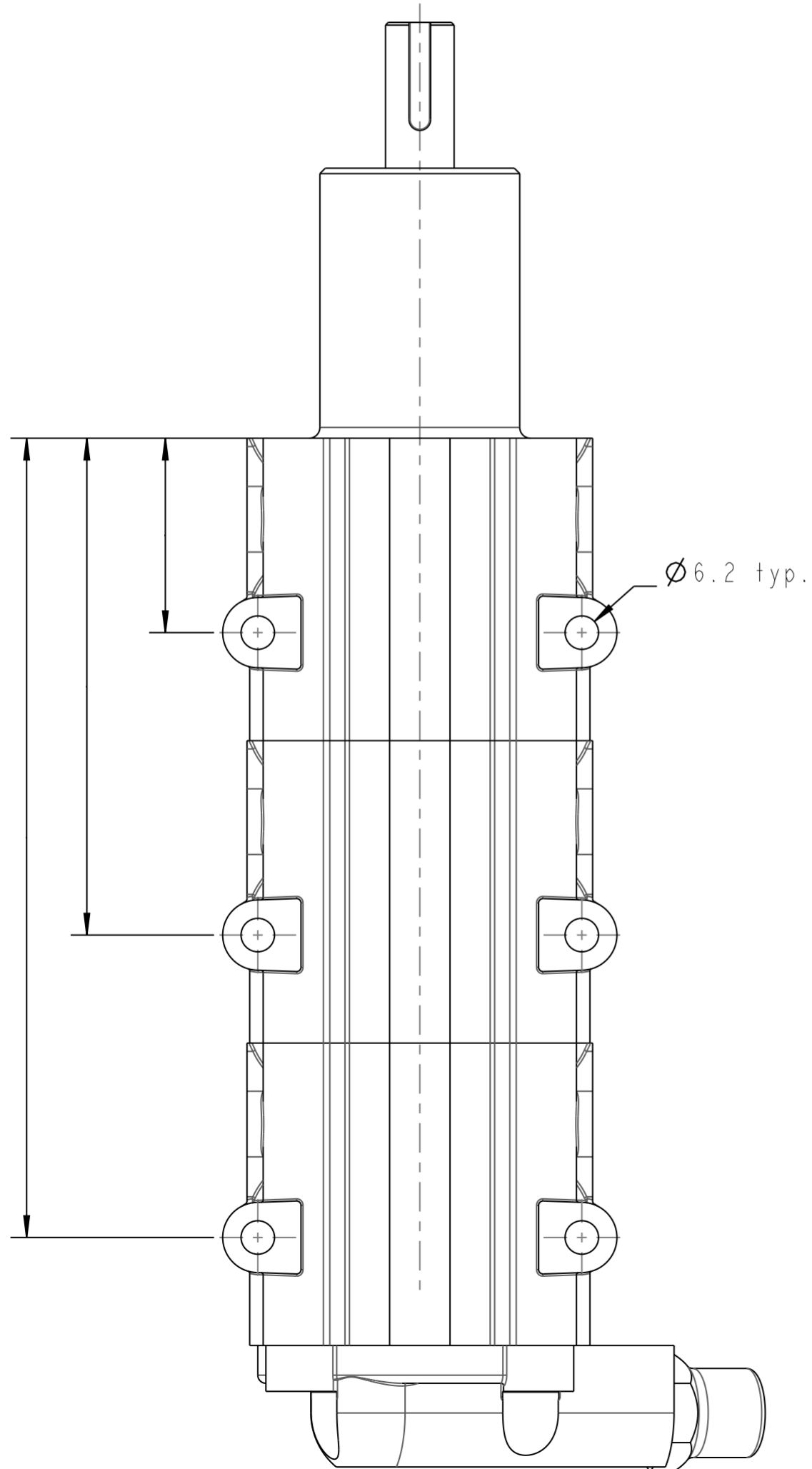
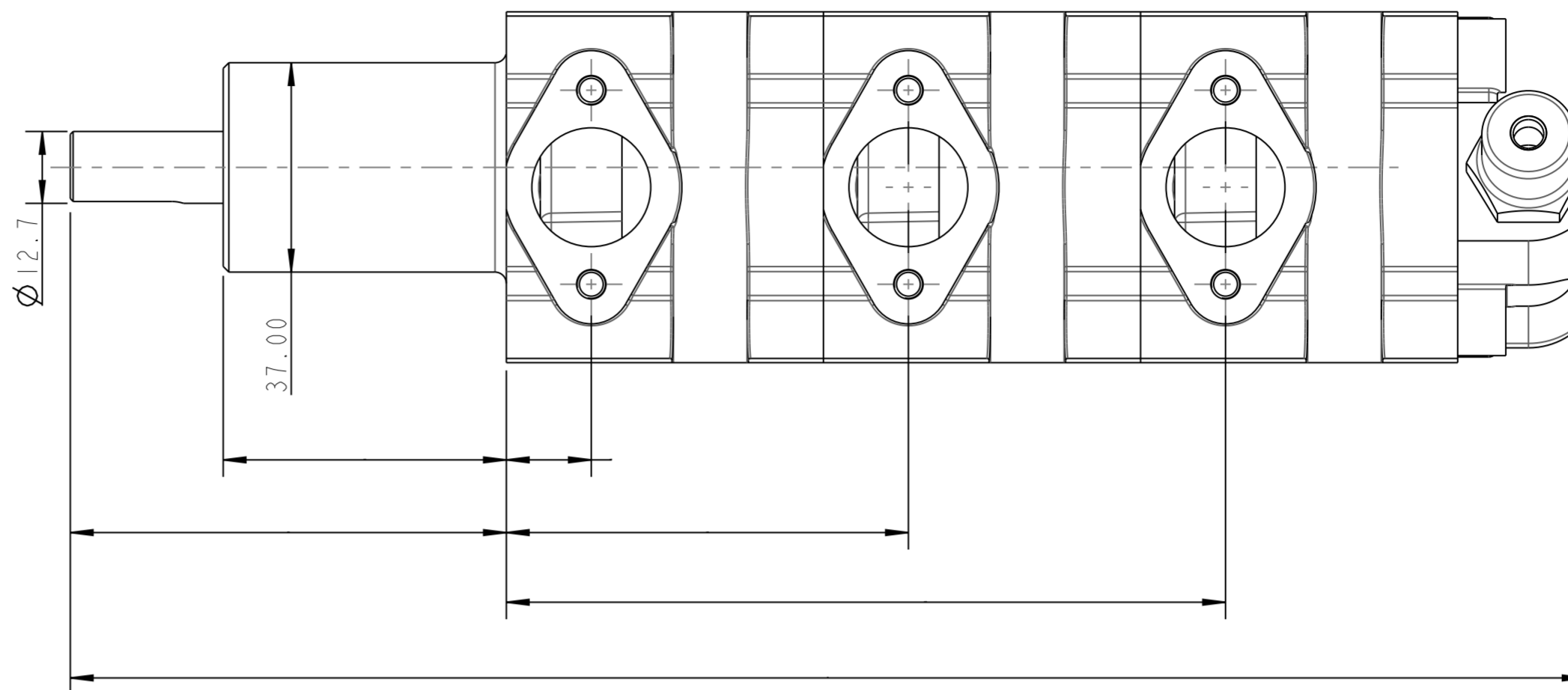
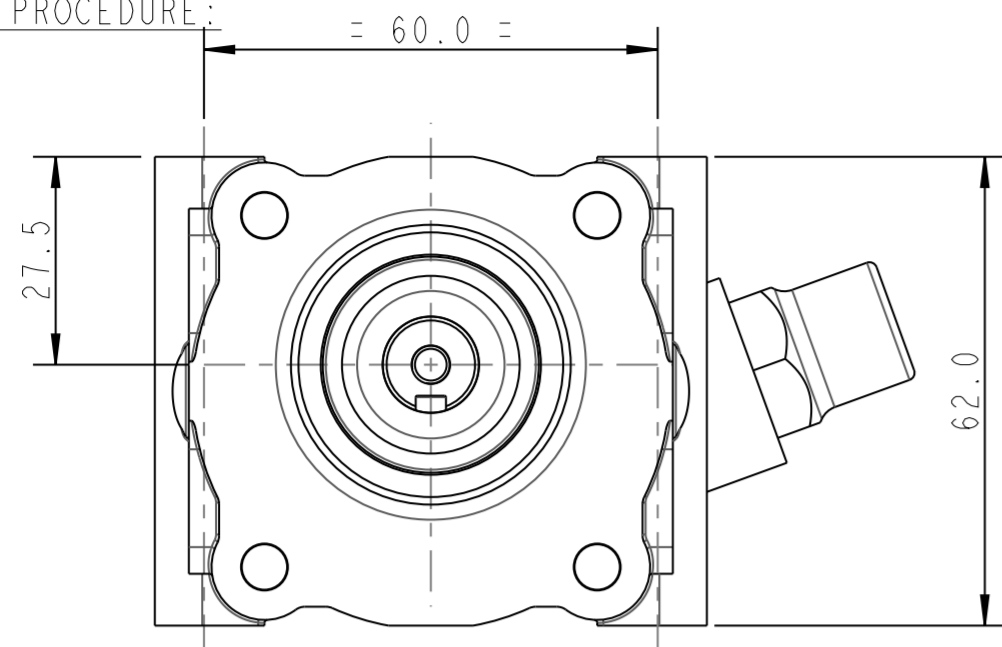


MANUFACTURING PROCEDURE:



A	17. APR. 09	INITIAL ISSUE	T.O.M	-	-
ISS	DATE	DETAILS	DRAWN	CHK'D	APP'D
DIMENSIONS IN mm ANGLES IN DEGREES.		GENERAL MACHINED FINISH N7 U.O.S			
TOLERANCES AS BELOW U.O.S.		REMOVE ALL BURRS AND SHARP EDGES			
±0.40	0 DECIMAL PLACES	DO NOT SCALE - IF IN DOUBT ASK	SCALE:	1:1	
±0.20	1 DECIMAL PLACE		MATERIAL:	--	
±0.10	2 DECIMAL PLACES		HEAT TREAT:	--	
±0.02	3 DECIMAL PLACES		FINISH:	CLEAN	WEIGHT: --
<p><b>paceproducts</b></p>			HOMEFIELD ROAD INDUSTRIAL ESTATE HAVERHILL SUFFOLK CB9 8QP T:01440 760960 F:01440 765049		
			DRAWING NO.		

A2 TITLE: **OIL PUMP ASSY - CD2000**  
**3 STAGE, 1x1.4" P AND 2x1.4" S LONG NOSE** DRAWING NO. **00-03-018-0-0-A**

This drawing is the property of PACE PRODUCTS LTD. It must not be reproduced or copied and must be returned at any time on demand. This drawing is also confidential and must be disclosed to no other than an employee requiring it for the job. It is a condition under which this job is placed that no goods will be made, modified or repaired from the drawing except in accordance with an official order from PACE PRODUCTS LTD.